

BROEN

VALVE TECHNOLOGIES



BROEN BALLOFIX® STAINLESS STEEL ANGLE BALL VALVE

The angle ball valve is made of stainless steel, the best solution in terms of preventing corrosion when using in pure stainless steel installations

BROEN BALLOFIX® Stainless steel angle ball valve

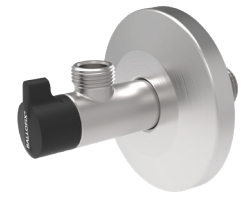
- Valvebody made of stainless steel
- Ball and stem design made in one-piece-composite
- The seal against the ball is of a springy design, which prevents the valve from jamming if small dirt particles get stuck between the ball and seal
- Large brushed stainless steel rosette
- The angle valve is KIWA SE-approved
- Danish innovation and design.



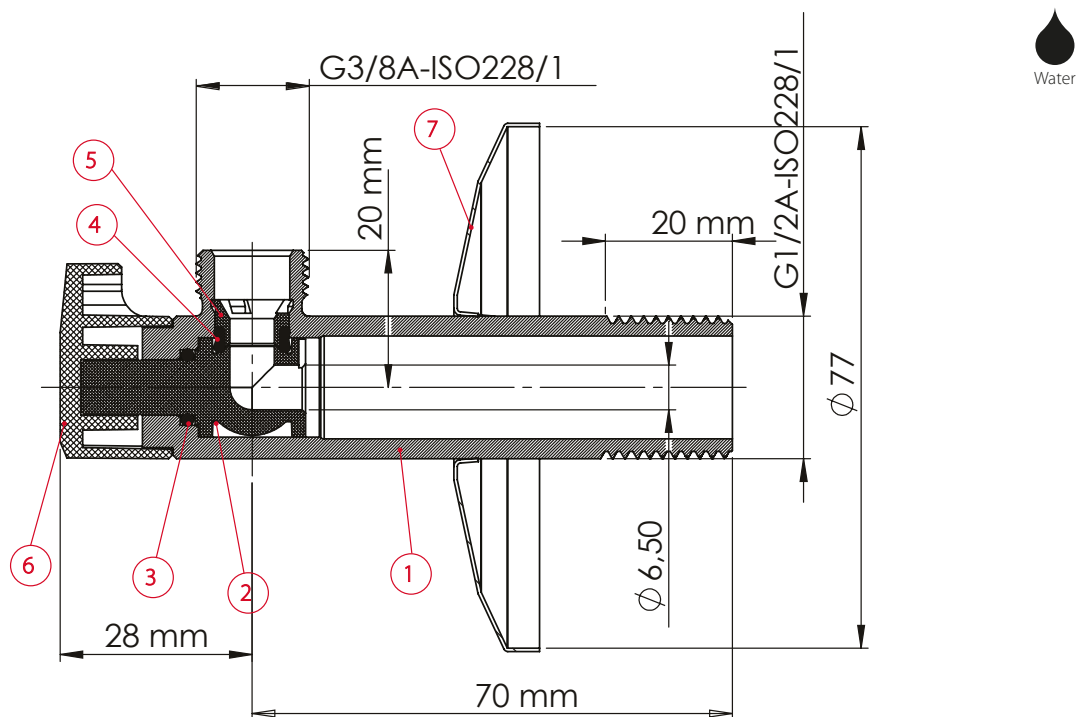
BROEN BALLOFIX®

STAINLESS STEEL ANGLE BALL VALVE

Technical data



Material, valve housing:	Stainless steel AISI 316 - EN 1.4401
Material, ball:	PPS GF40
Material, handle:	PA 6.6 GF18 - Fibreglass-reinforced composite
Material, rosette:	Stainless steel AISI 316 - EN 1.4401
Sizes:	G1/2A x G3/8A
Sizes, rosette:	Ø77 mm
Medium:	Water
Authorisations:	VA, KIWA SE
Operating pressure:	Max. 10 bar
Operating temperature:	95°C
Total Capacity:	Kv 1.00 m3/h (1 bar)



No.	Component	Material
1	Valve housing	Stainless steel AISI 316 - EN 1.4401
2	Ball	PPS GF40
3	O-ring	EPDM
4	Seat	EPDM

No.	Component	Material
5	Retaining ring	POM
6	Handle	PA 6.6 GF18
7	Rosette, Ø77	Stainless steel AISI 316 - EN 1.4401